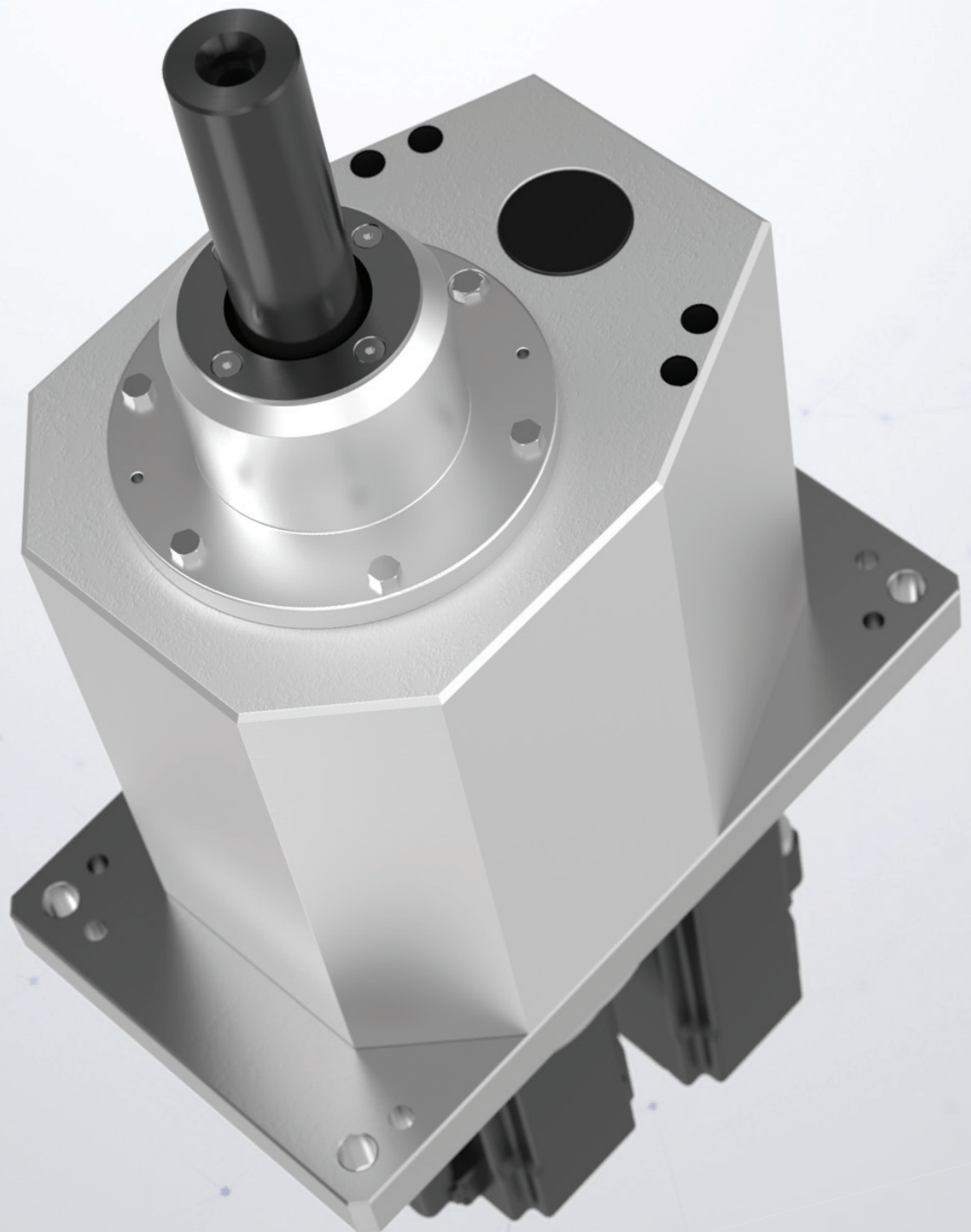


BROCHURE

MCR Series

Pick & Place Unit



THE NEW WAY FOR HANDLING



The new MCR series of pick&place is designed to cover the requirements of **fast moving** and **placing** from the industrial automation.

About It

MCR series are **programmable pick&place** components for automation where the output shaft lifts up and down while rotating according to user's needs.

How it works

The MCR is driven by **two independent servomotors**, one for the linear and the other for the rotary movement in order to insure **the highest level of flexibility in the positioning**.

The MCR series solves the problems of placing especially in:



- food
- assembling
- automotive
- pharma & medical
- packaging
- robotics

DISCOVER THE MCR SERIES



Heavy Payload
up to **20 kg** in
one second



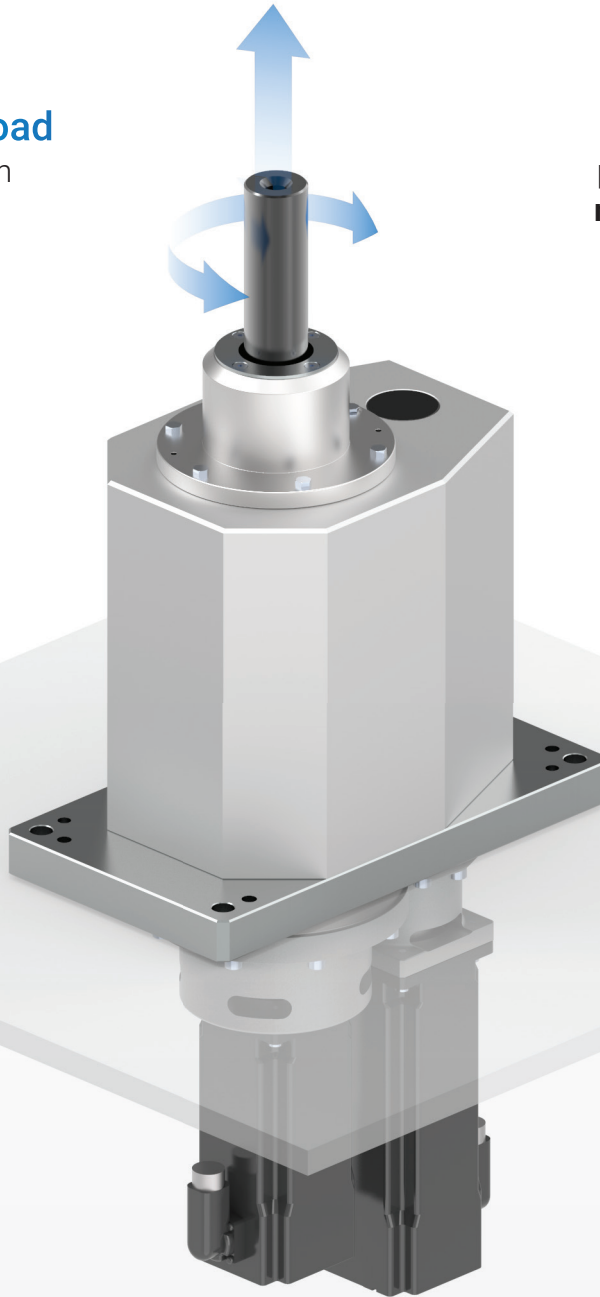
Strength
pressing force
max of 100 kg



High speed
One second or less



Flexibility
freely programmable
both in lift and rotation



Working position
In **all working positions**



Design
Compact for
space constraints
applications



Precision
High rigidity,
accuracy, ripetibility
and **vibration free**

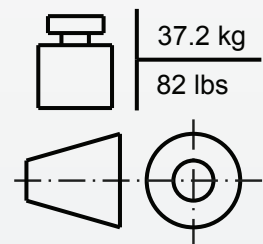
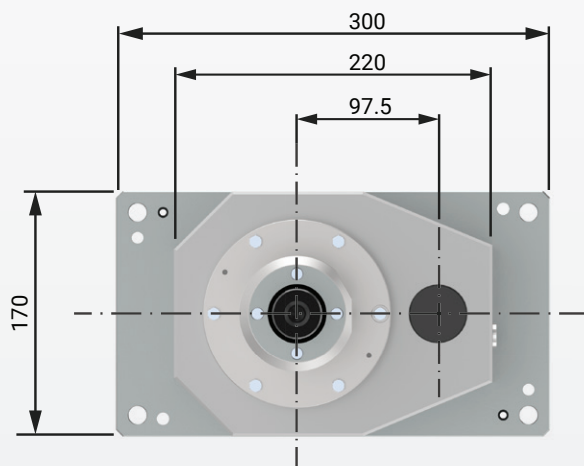
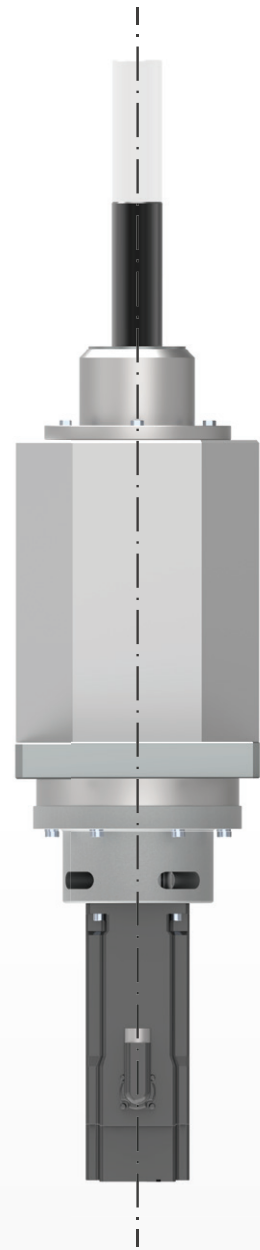
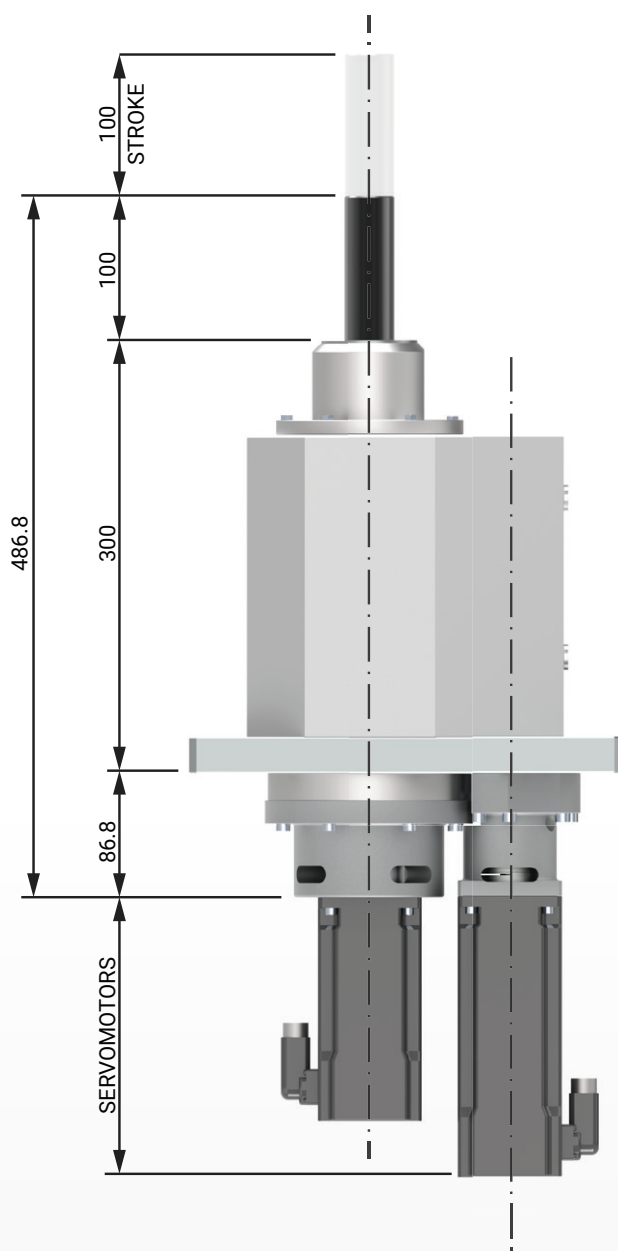


Rotation
Multi-turn



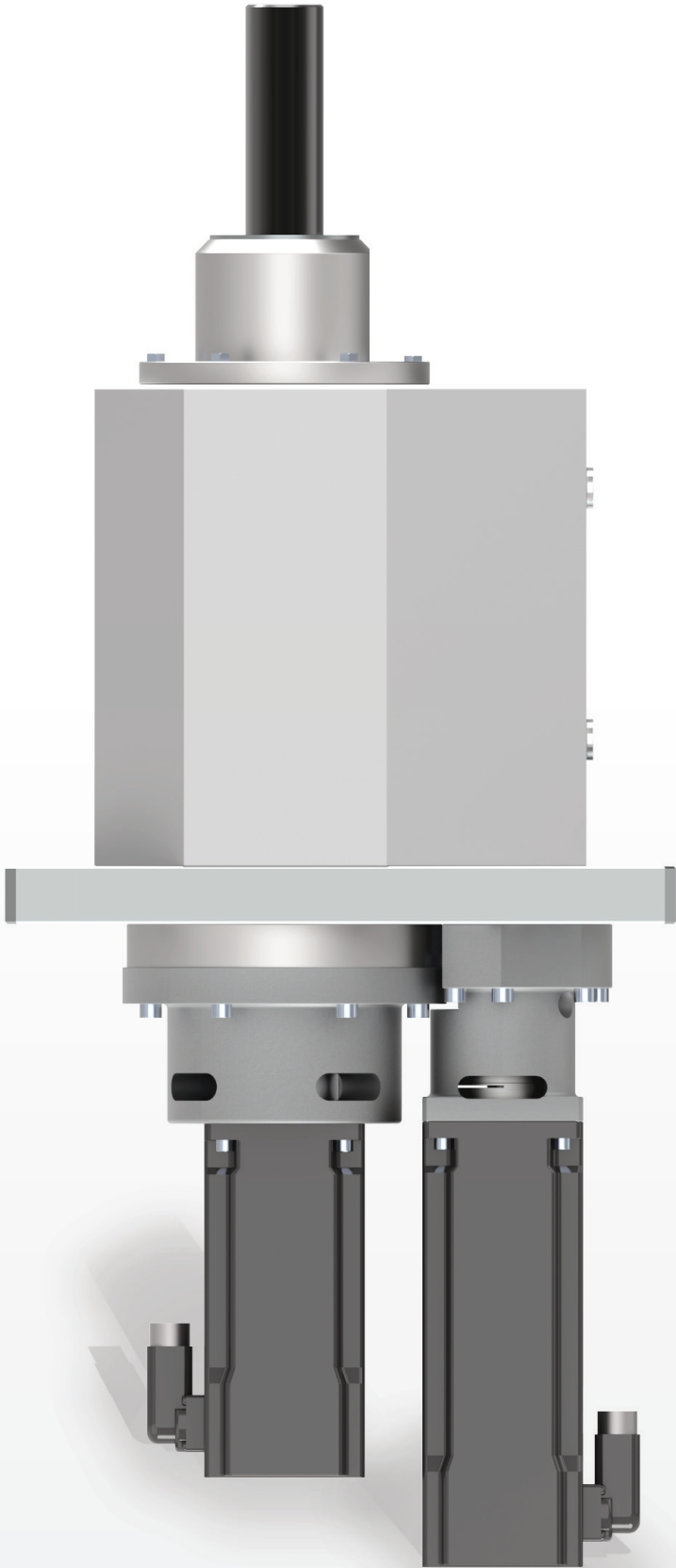
Cleanness
Designed to **meet clean room** "specification" for
pharma and medical

DIMENSIONS



3D Interactive model

Visualize and explore
the 3D model



15th September 2021



www.cdsindexers.com